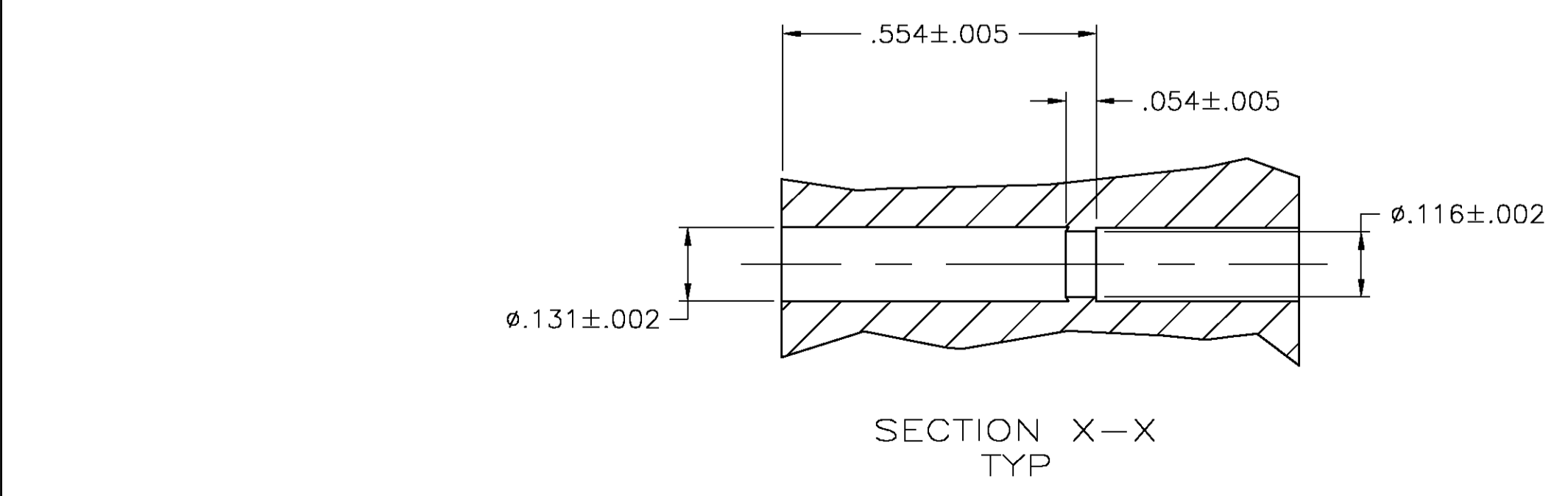
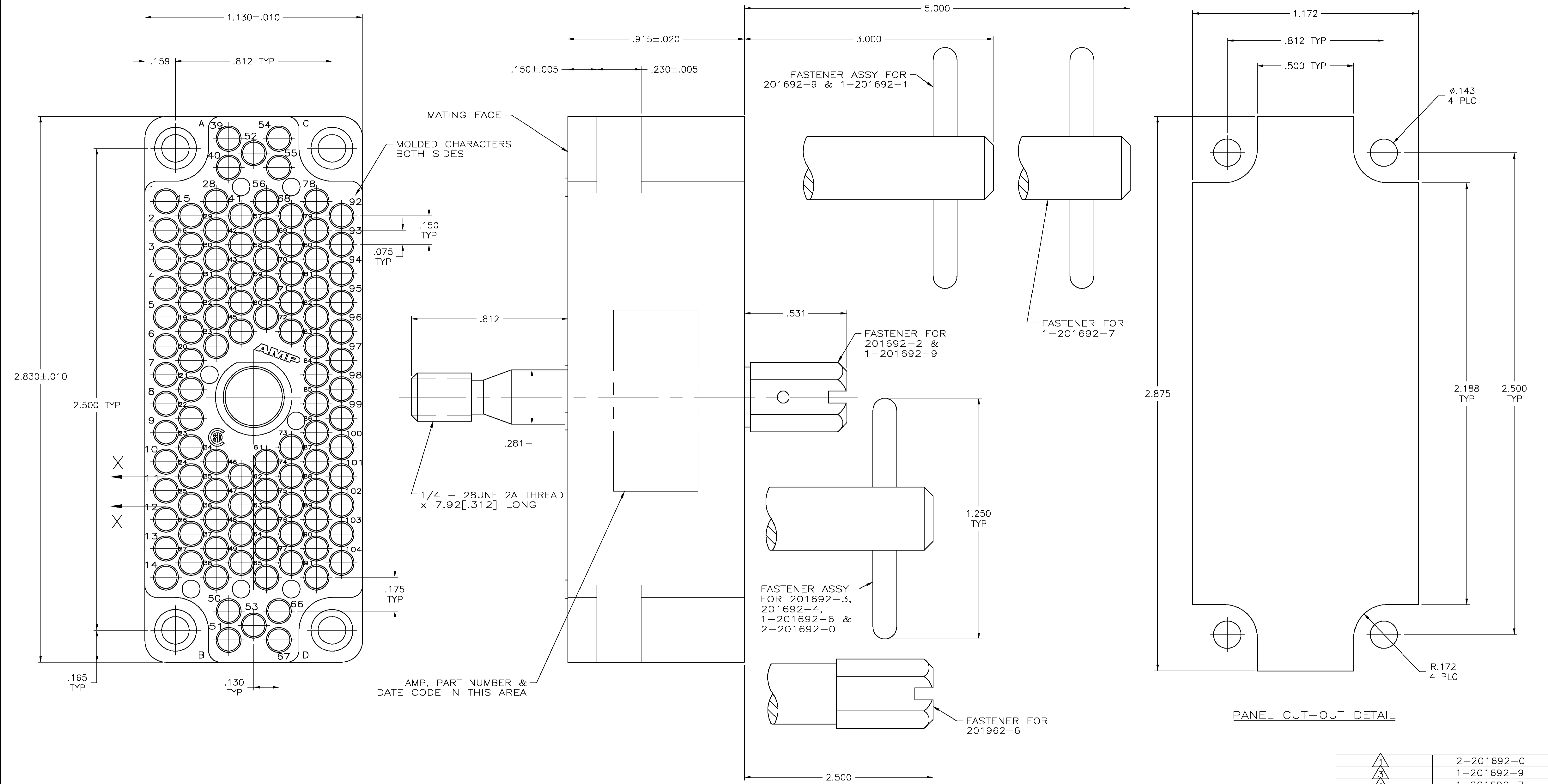


LOC		DIST		REVISIONS			
P	LTR	DESCRIPTION	DATE	DWN	APVD		
AN		REVISE PER ECN 0G3B-0341-04	4/22/04	SS	SH		



- 1 PHENOLIC PER MIL-M-14F, TYPE MFH, BLACK.
- 2 DIALLYL PHTHALATE PER MIL-M-14F, TYPE SDG-F, BLUE.
- 3 VALOX 420 SEO.
- 4 ACCOMMODATES TYPE II OR TYPE III SIZE #16 SOCKET CONTACTS.
- 5 STAINLESS STEEL.
- 6 FOR MATING BLOCK SEE CUSTOMER DRAWING 201532.

BLOCK MATERIAL	PART NUMBER
1	2-201692-0
3	1-201692-9
1	1-201692-7
3	1-201692-6
1	1-201692-1
2	201692-9
1	201692-6
1	201692-4
2	201692-3
1	201692-2

THIS DRAWING IS A CONTROLLED DOCUMENT.

DIMENSIONS: INCHES	TOLERANCES UNLESS OTHERWISE SPECIFIED:	DWN C. REIFSNYDER 14 DEC 95		Tyco Electronics Corporation Harrisburg, PA 17105
0 PLC ± -	1 PLC ± -	CHK C. DORWART 19 DEC 95		NAME G.A. STEINHAEUER 03 JAN 96
2 PLC ± ± 0.38[.015]	3 PLC ± ± -	APVD G.A. STEINHAEUER	PRODUCT SPEC	PLUG BLOCK ASSEMBLY, 104 POSITION, RECTANGULAR M SERIES
4 PLC ± ± -	ANGLES ± ± -	FINISH -	APPLICATION SPEC	SIZE CASE CODE DRAWING NO RESTRICTED TO
MATERIAL BLOCK: SEE TABLE HARDWARE & INSERTS	FINISH -	WEIGHT -	CUSTOMER DRAWING	A1 00779 C=201692
			SCALE 4:1	SHEET 1 OF 1 REV AN